

MANUAL

AIR HORN DHR H200 Series



SINCE 1922

Den Haan Rotterdam

ADVANCED MARITIME SIGNALLING SOLUTIONS

16MAR 01



Den Haan Rotterdam
Fascinatio Boulevard 1182
2909 VA Capelle a/d IJssel
The Netherlands
T +31 (0) 10 413 07 55
E sales@dhr.nl
www.dhr.nl

Den Haan Rotterdam



DISCLAIMER

Despite constant care and attention DHR puts in its manuals it is still possible that information in this manual is incomplete or incorrect.

We do not guarantee that the information in the manual is suitable for the purpose for which the information was consulted. All information is offered in the state in which it actually is and without any (implicit) guarantee or warranty regarding its validity or its suitability for a particular purpose or otherwise. All illustrations are for illustrative purposes only. This manual is not intended to cover every possible detail about the product.

We exclude all liability for any damages, direct or indirect, of any nature whatsoever, arising from or in any way connected with the use of this manual. In addition we are not liable for damages, direct or indirect, arising from the use of information obtained from this manual.

A user of this manual may not publish copyright protected works or other information from the manual or in any way reproduce the information without our permission. This also includes the reproduction of information or parts thereof by publication in an electronic (computer) network.

SPECIFICATIONS AIR HORN

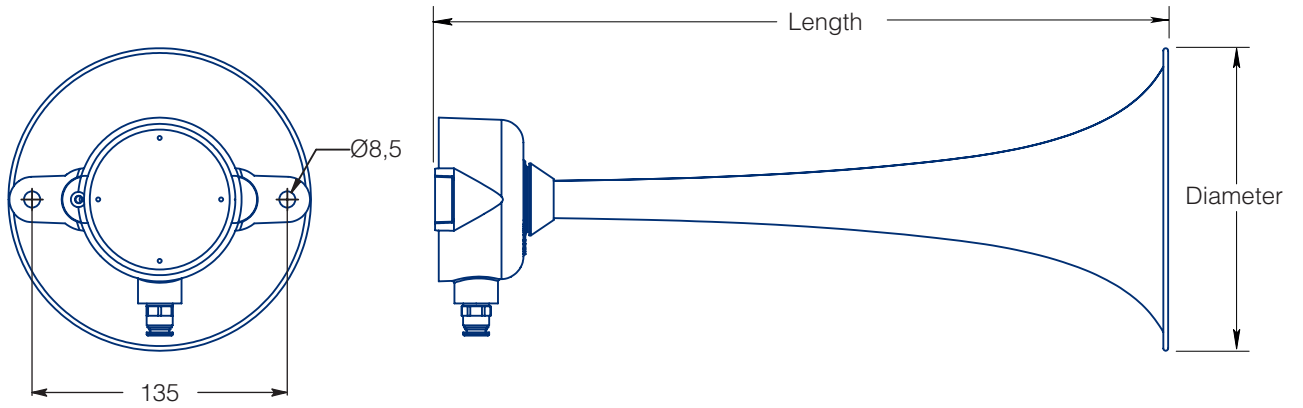
- **Materials** : Solid brass horn and stainless steel 316 membrane house
- **Finish** : Painted mat black
- **Connection** : 1/4" Push in fitting for Ø8 x 6 mm air hose
- **Air consumption** : 1,5-3,5 l/s / 2-3,5 l/s*
- **Air pressure** : 1,5 -10 BAR / 2 -10 BAR*

Article code	Fundamental frequency	Sound pressure level	Length	Diameter
20001*	660Hz	116-138 dB(A)	198mm	130mm
20002	377Hz	116-132 dB(A)	387mm	160mm
20003	307Hz	116-132 dB(A)	450mm	130mm

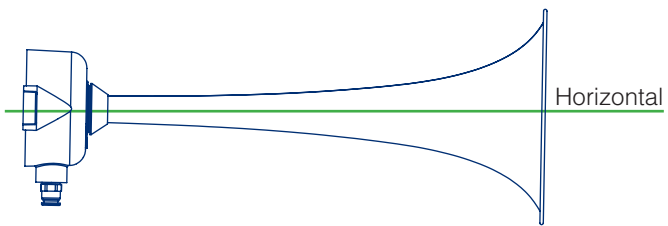
ACCESSORIES

Article code	Description	Dimensions	Material
90003	Air hose	Ø8x6	Nylon

DIMENSIONS IN MM



INSTALLATION INSTRUCTIONS



- The air horn shall be mounted on a downward slope, typically between 1-2°, with no obstacles in front of the horn