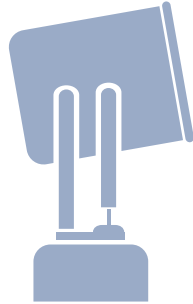


TECHNICAL MANUAL

DHR260 Metal Halide



SINCE 1922

Den Haan Rotterdam

WARNING!

- Turn power off before inspection, installation or removal
- Keep combustible materials away from lamp
- Use eye protection when handling lamp
- Do not touch glass with bare hands, wear gloves
- Do not exceed 105% of rated voltage
- Allow lamp/fixture to cool before handling
- Do not use lamp if outer glass is scratched or broken



Damage due to inappropriate handling is not covered by the warranty.

DISCLAIMER

Despite constant care and attention DHR puts in its manuals it is still possible that information in this manual is incomplete or incorrect.

We do not guarantee that the information in the manual is suitable for the purpose for which the information was consulted. All information is offered in the state in which it actually is and without any (implicit) guarantee or warranty regarding its validity or its suitability for a particular purpose or otherwise. All illustrations are for illustrative purposes only. This manual is not intended to cover every possible detail about the product.

We exclude all liability for any damages, direct or indirect, of any nature whatsoever, arising from or in any way connected with the use of this manual. In addition we are not liable for damages, direct or indirect, arising from the use of information obtained from this manual.

A user of this manual may not publish copyright protected works or other information from the manual or in any way reproduce the information without our permission. This also includes the reproduction of information or parts thereof by publication in an electronic (computer) network.

© Copyright, Den Haan Rotterdam B.V.
Version 1.0 October 2015

This document contains proprietary information that is protected by copyright.
All rights reserved.



TABLE OF CONTENTS

1.	Specifications DHR260HID Searchlight	4
2.	Ballast description	5
3.	Ballast technical drawing	5
4.	Ballast specifications	6
5.	Ballast installation	7
6.	Ballast operation	7
7.	Cable connection	8
8.	Wiring diagram DS/DC/CS/CC Models	9
9.	Wiring diagram RCN Model	10
10.	Spare parts searchlight head	11

1. SPECIFICATIONS DHR260HID SEARCHLIGHT

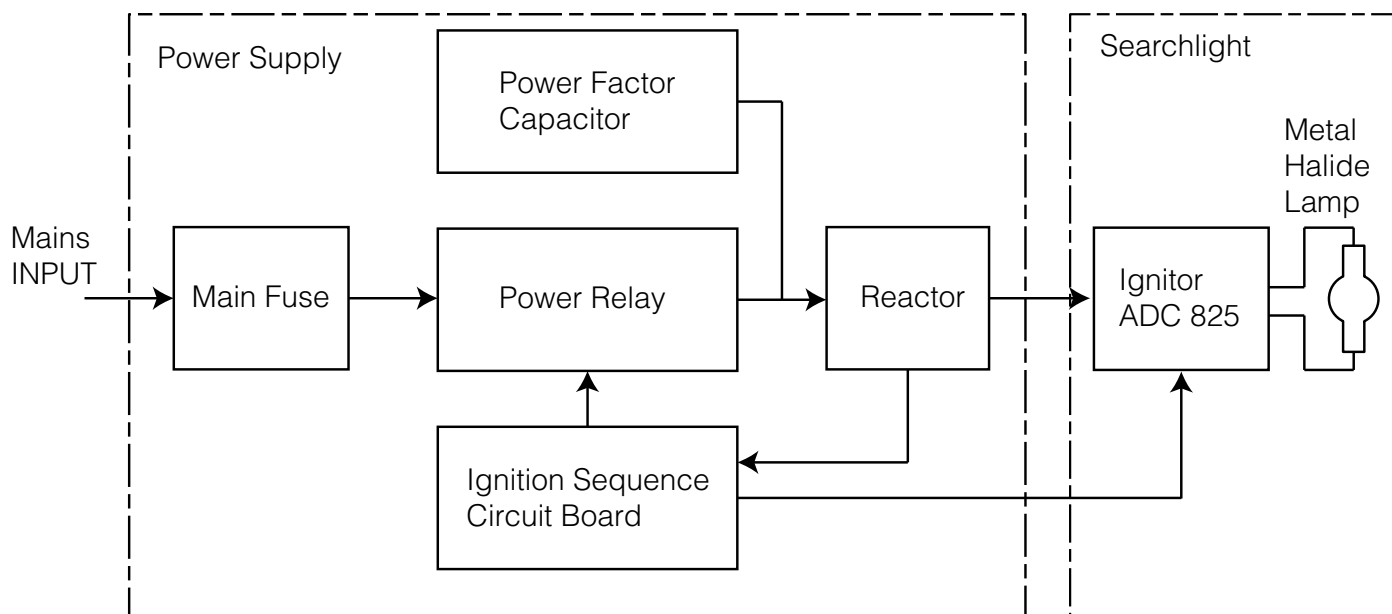
- Housing
 - Material : Chromated seawater resistant aluminium
 - Finish : UV resistant powdercoat - White RAL9016
 - Sealing : Silicone, clear
- Cable glands : M20x1,5
- Cable : Heat resistant cable H05GG-F 3G1,5
- Lampholder : GZY9,5
- Power : 200W
- Electrical insulation class : I
- Optics : Parabollic mirror reflector with manual adjustable focus
- Range : 1800 m
- Divergency : 2,2°
- Light intensity : 3.300.000cd
- Colour Temperature : 6000K
- Protection class : IP 66 c/w membrane vent
- Ambient temperature : -25°C / + 40°C

Operation models:

- DS : Deck operated, standard version
- DC : Deck operated, extended version
- CS : Cabin controlled, standard version
- CC : Cabin controlled, extended version
- RCN : Remote controlled

2. BALLAST DESCRIPTION

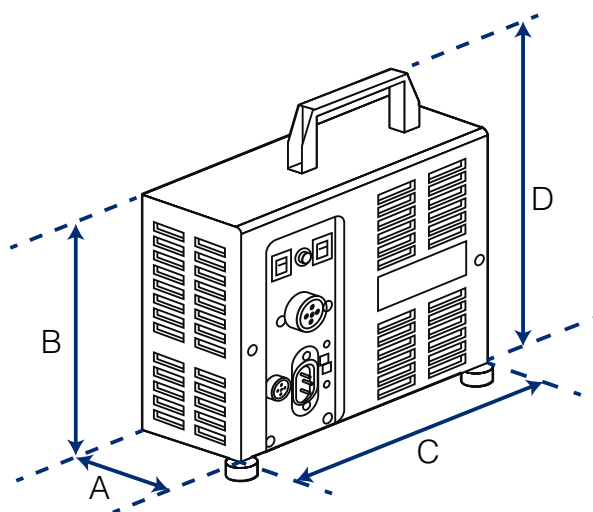
This power supply has been designed to power a 200W metal halide lamp.
The short circuit and overload protections are built-in using a fuse, accessible from the front panel.



3. BALLAST TECHNICAL DRAWING

Size

A	125 mm
B	195 mm
C	240 mm
D	249 mm



4. BALLAST SPECIFICATIONS

Electrical characteristics

Input voltage	: 230/240V 50Hz \pm 10%
	: 220V 60Hz \pm 10%
Input current (max.)	: 1.3A max
No-load input current (max.)	: 4A (power supply ON lamp OFF)
Frequency	: 50/60Hz
Surge current (approx.)	: 2.7A
Power factor at 230V 50Hz	: 0.95
Efficiency at 230V 50Hz	: 83%
Earth leakage current	: Less than 0.5mA
No-load output voltage	: 220/240V
Rated current	: 3.3A
Power regulation	: \pm 14.5% with \pm 10% input variation
Fuse rating	: 4A time delay

Physical

Housing material	: Aluminium, black
Degree of protection	: IP32
Weight	: 7.5 kg
Operating temperature	: -20° C to +40° C
Storage temperature	: -20° C to +70° C

5. BALLAST INSTALLATION

1. Place the power supply indoors where it is protected against the weather.
2. Connect the input cord to the ballast.
3. Connect the 7pin connector to the wire according the wiring diagram on [page 8](#).
4. Select the power supply operation mode: Normal or Remote.
5. We recommend to put it in "Remote". This way, the ballast starts the ignition sequence when power is applied to mains input of the ballast.

6. BALLAST OPERATION

1. After the lamp ignition cycle, the warm-up time of the lamp starts. After a few minutes, the lighting system reaches the nominal power and the lamp its nominal colour temperature.
2. Reignition: before reigniting of the lamp, wait approx. 10 seconds.



Important!

Den Haan Rotterdam accepts no responsibility for any damage if the searchlight is installed incorrectly and/or used improperly. When in doubt consult a qualified electrical technician.



- Always connect the yellow-green wire (green for the US) to a low resistance earth terminal.
- Always connect the luminaire to the power supply by means of an earth conductor.
- Do not obstruct air circulation around the power supply.
- In case of a defect to the power supply, contact Den Haan Rotterdam.

7. CABLE CONNECTION

To connect the ballast to the searchlight, a 7 pin connector is used and a 4x1,5mm² cable. Connecting the wires correctly is very important as the lamp may explode when connected wrong.



The above picture shows the power connector. When the connector is opened, every hole (where each pin is fitted in) has a unique number. The numbers are shown on both sides of the connector.



Important!

After inserting the wire in a pin, make sure it's fitted in the corresponding hole. Once it's plugged in, it cannot become undone.

For the connection to the ballast unit, the numbers 1 to 7 are mentioned on the connector delivered with the ballast. Every number corresponds with a cable colour according to scheme below.

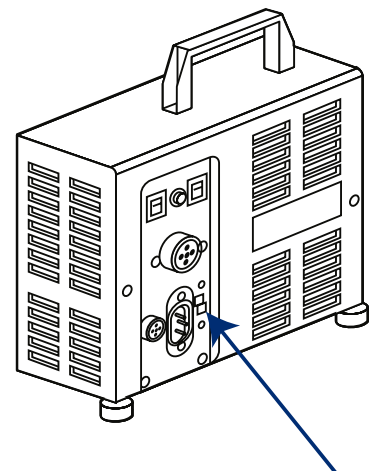
Wiring has to be connected as follows:

1. No cable (empty).
- 2 – 3. Through connection
4. Blue
5. Black
6. Brown
7. Yellow/Green (ground)

Remote switch

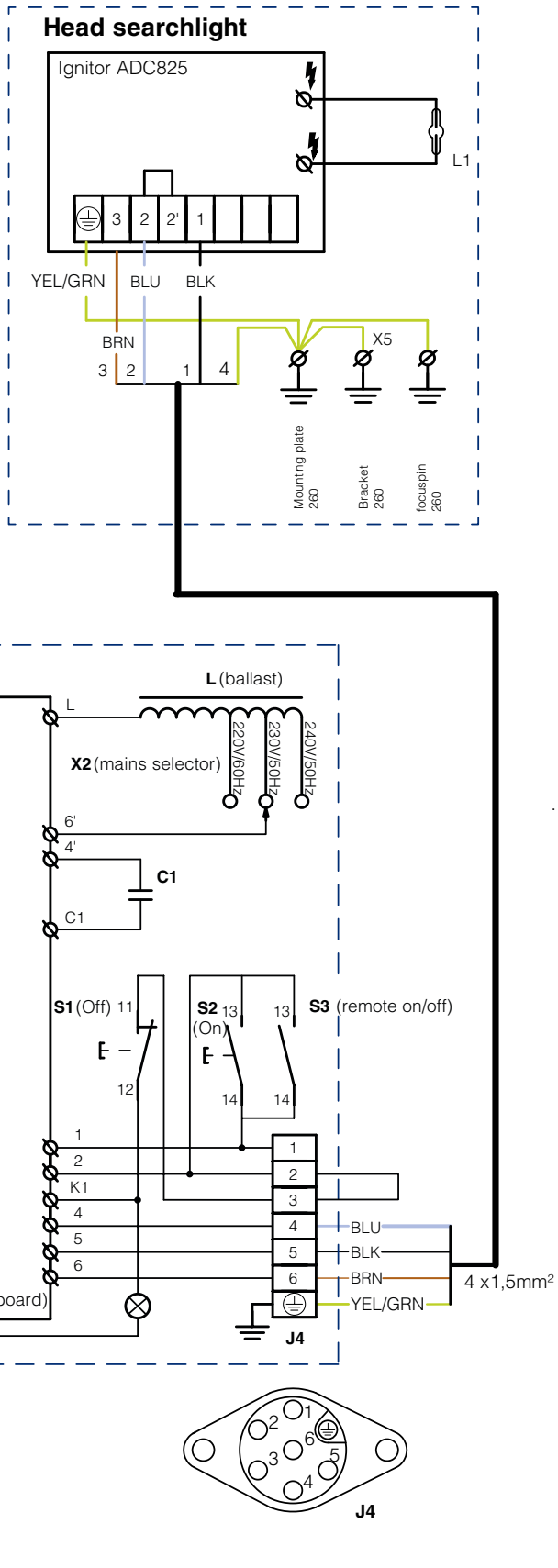
The button indicated by the arrow points out the Remote ON/OFF switch. The switch should be in the "ON" position. This way, the searchlight will turn on when the ballast is powered.

In case this doesn't work, the first thing that has to be done is to check the electric wire connection shown above on this page.

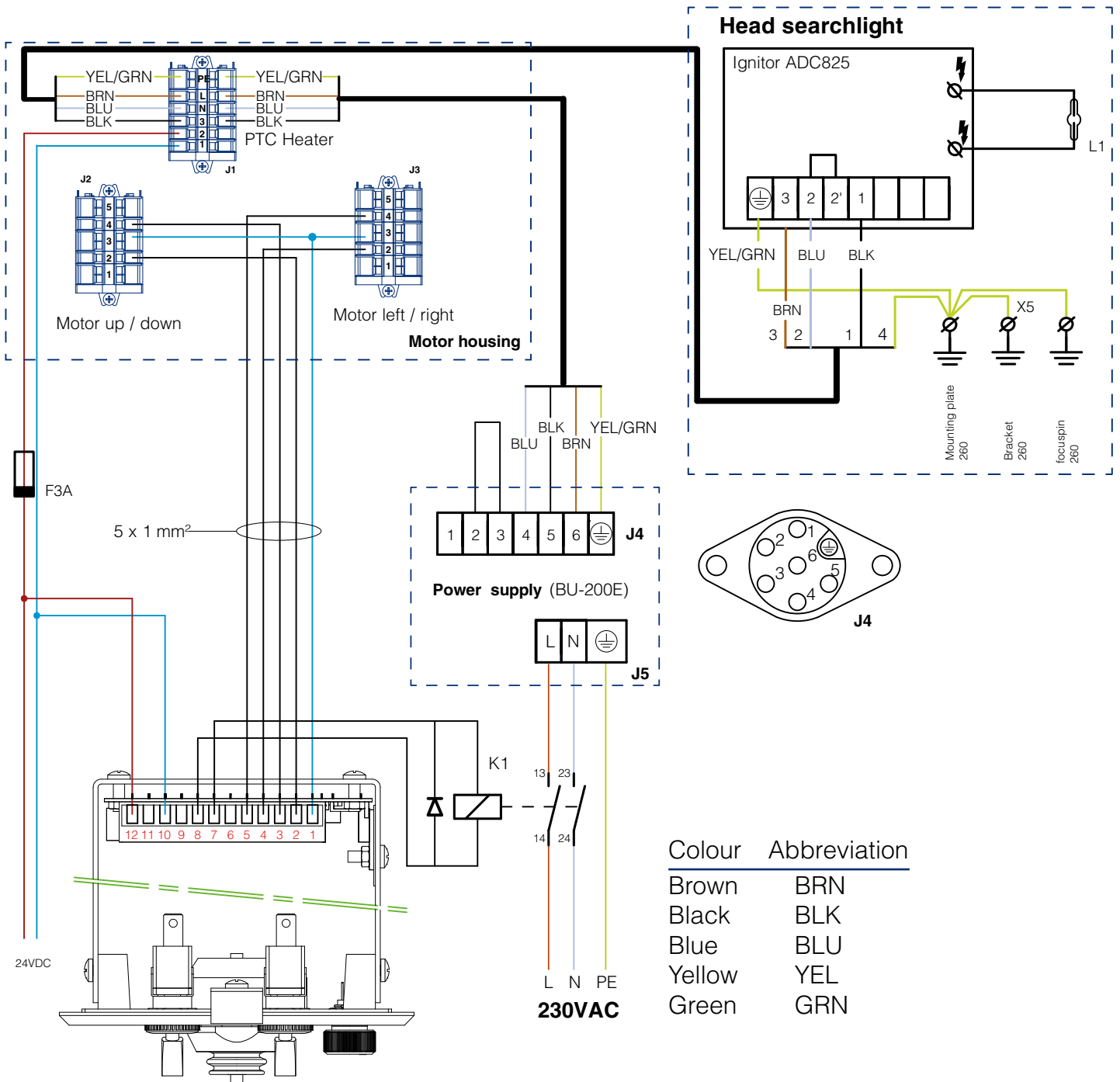


8. WIRING DIAGRAM DS/DC/CS/CC MODELS

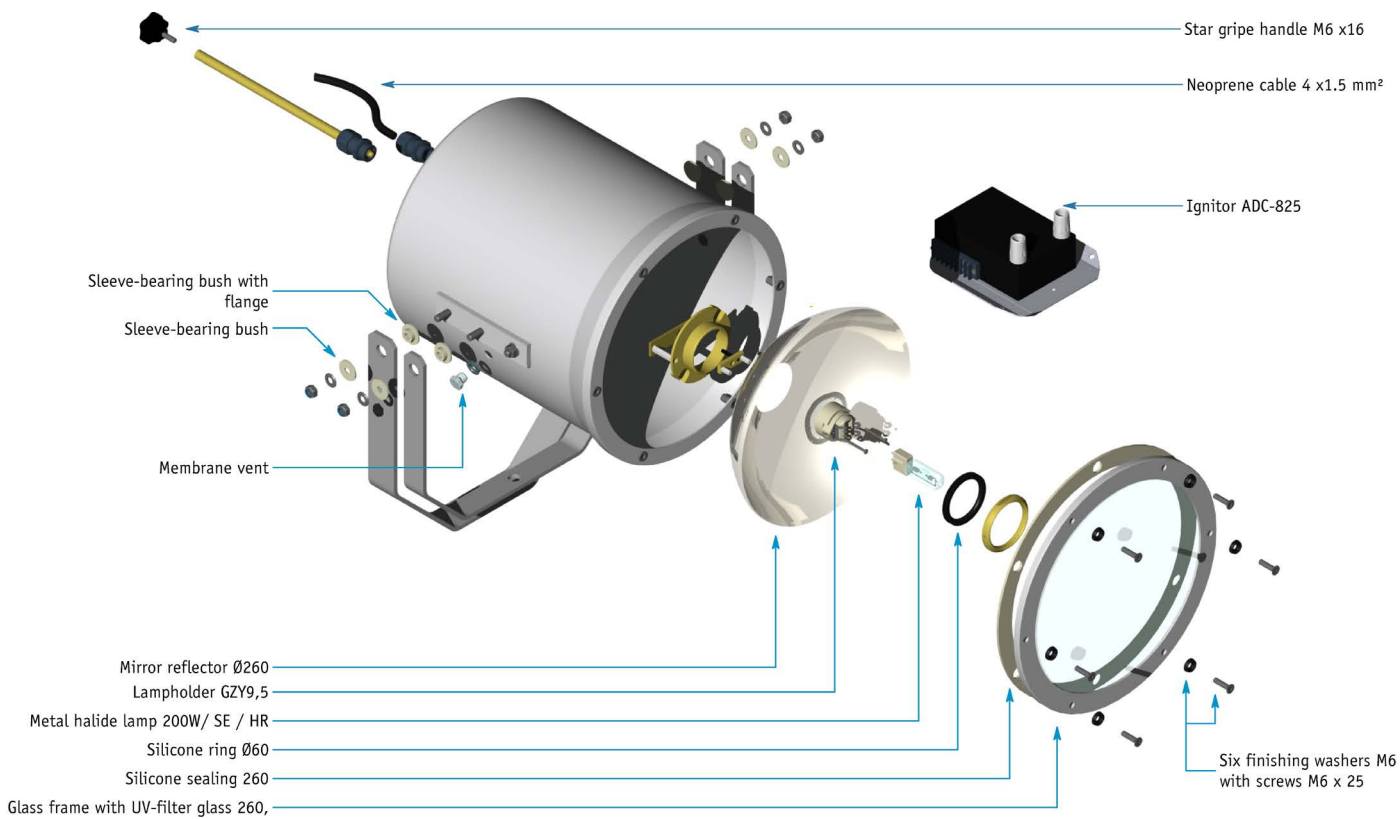
Colour	Abbreviation
Brown	BRN
Black	BLK
Blue	BLU
Yellow	YEL
Green	GRN



9. WIRING DIAGRAM RCN MODEL



10. SPARE PARTS SEARCHLIGHT HEAD



ADVANCED MARITIME SIGNALLING SOLUTIONS



Den Haan Rotterdam
Fascinatio Boulevard 1182
2909 VA Capelle a/d IJssel
The Netherlands
T +31 (0) 10 413 07 55
E sales@dhr.nl
www.dhr.nl